



PRICE LIST

2021/2



INDEX



PRO - Built-in Series

P-001 - P-002 - P-003	3
P-004 - P-005	4
P-006 - P-007 - P-008	5
P-009 - P-010	6

K - Built-in Series

K-001 - K-002 - K-003 - K-004	7
-------------------------------	---

K - Marble Bottom Series

K-011 - K-012 - K-013 - Y-001	8
-------------------------------	---

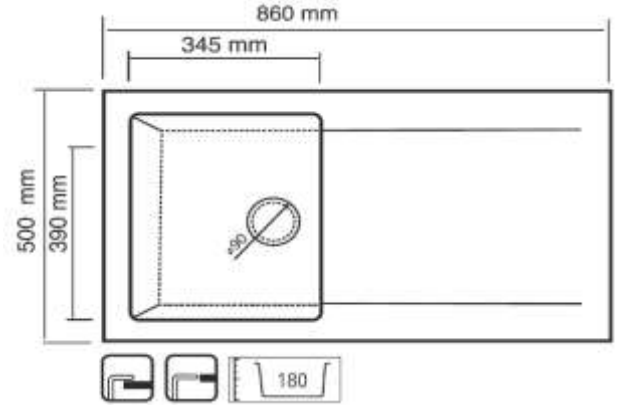
E - Marble Bottom Series

E-001 - E-002 - E-003 - E-004	9
-------------------------------	---

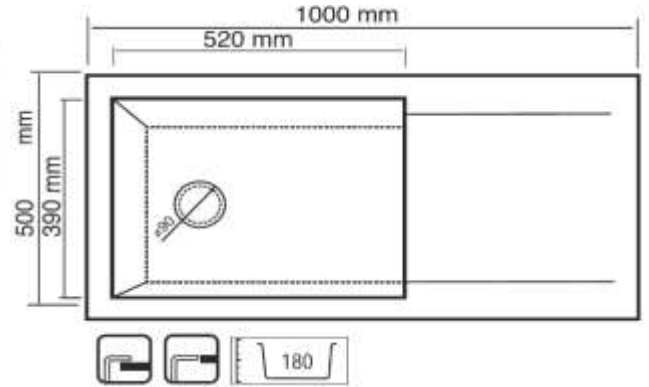


PRO - Built-in Series

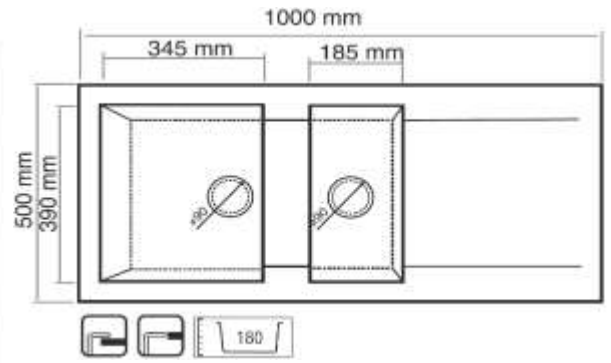
P - 001



P - 002



P - 003



PRODUCT	OUTER SIZE	CUT SIZE	PRICE
P-001	860X500 mm	840x480 mm	\$ 307
P-002	1000X500 mm	980x480 mm	\$ 317
P-003	1000X500 mm	980x480 mm	\$ 338



BLACK



ANTHRACITE



GREY



WHITE



CREAM



BENCH TOP MOUNTING



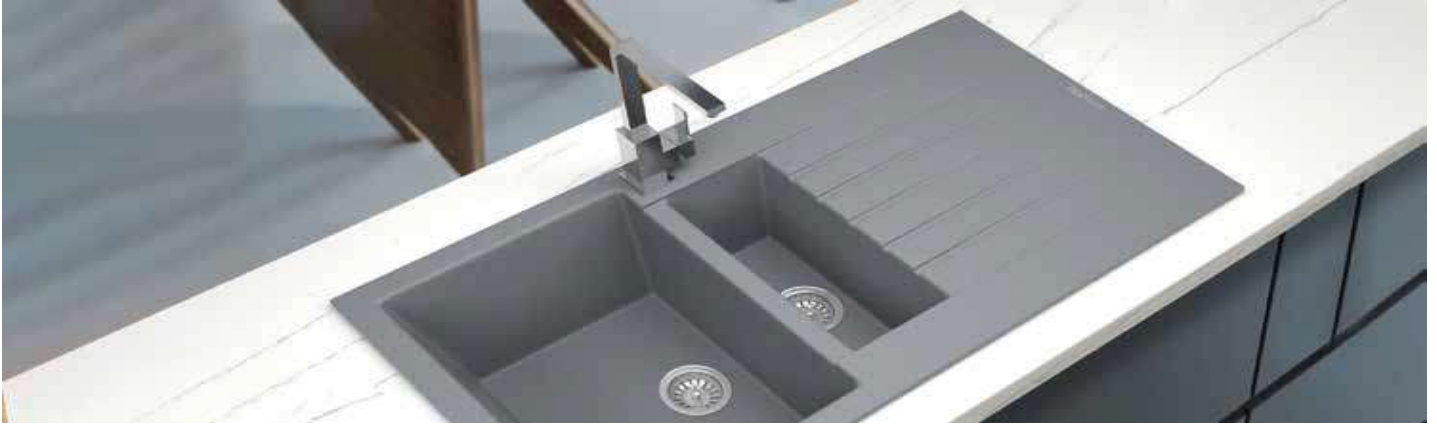
BENCH BOTTOM MOUNTING



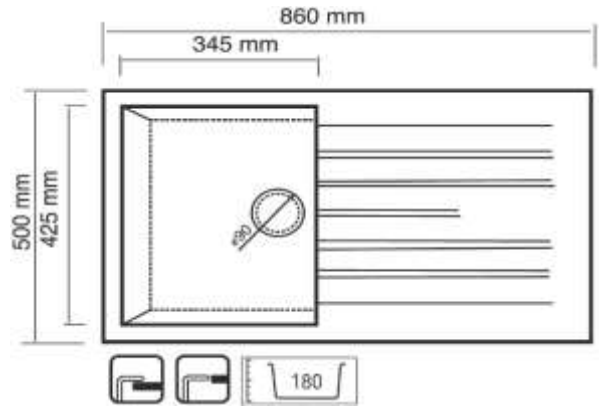
BENCH ZERO MOUNTING



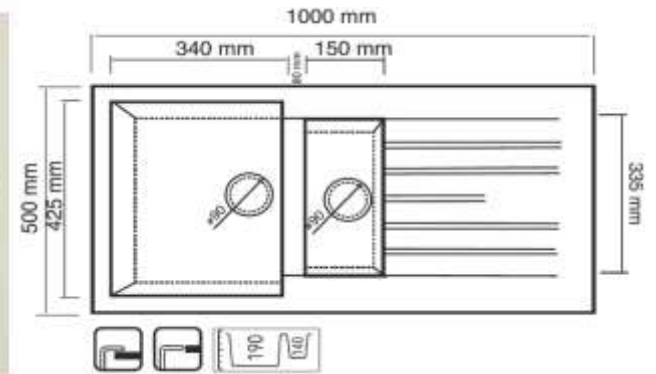
PRO - Built-in Series



P - 004



P - 005



PRODUCT	OUTER SIZE	CUT SIZE	PRICE
P-004	860X500 mm	840x480 mm	\$ 297
P-005	1000X500 mm	980x480 mm	\$ 317



BLACK



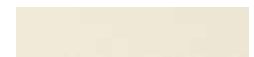
ANTHRACITE



GREY



WHITE



CREAM



BENCH TOP MOUNTING



BENCH BOTTOM MOUNTING

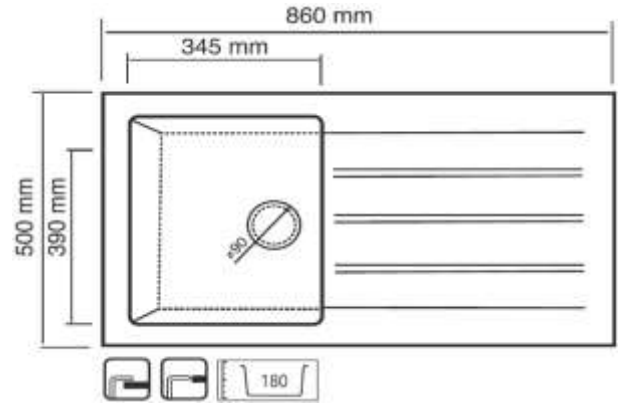


BENCH ZERO MOUNTING

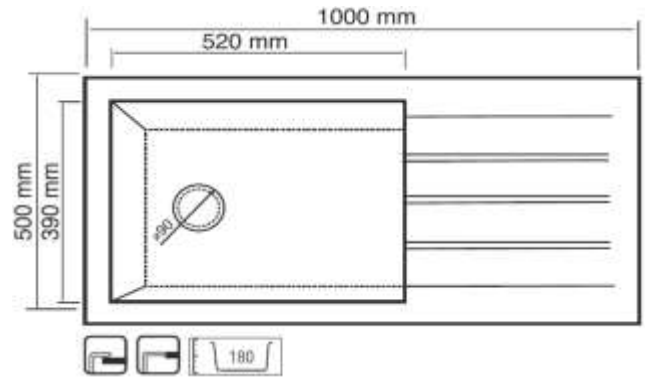


PRO - Built-in Series

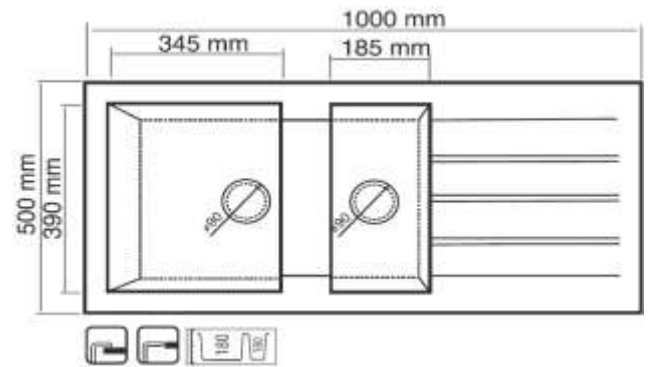
P - 006



P - 007



P - 008



PRODUCT	OUTER SIZE	CUT SIZE	PRICE
P-006	860X500 mm	840x480 mm	\$ 307
P-007	1000X500 mm	980x480 mm	\$ 317
P-008	1000X500 mm	980x480 mm	\$ 338



BLACK



ANTHRACITE



GREY



WHITE



CREAM



BENCH TOP MOUNTING



BENCH BOTTOM MOUNTING

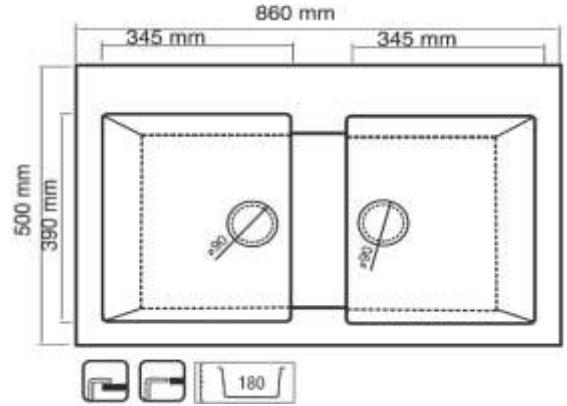


BENCH ZERO MOUNTING

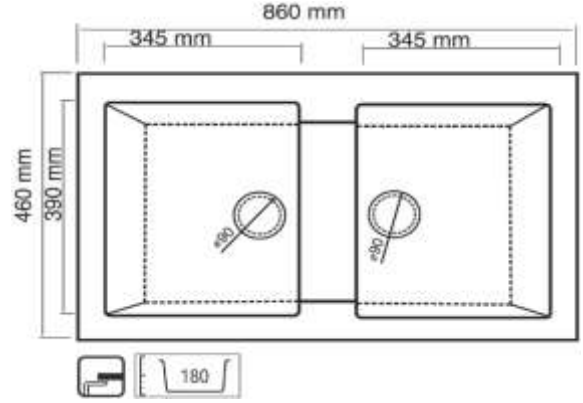


PRO - Built-in Series

P - 009



P - 010



PRODUCT	OUTER SIZE	CUT SIZE	PRICE
P-009	860X500 mm	840x480 mm	\$ 358
P-010	860X460 mm	840x440 mm	\$ 358



BLACK



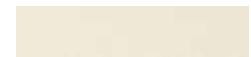
ANTHRACITE



GREY



WHITE



CREAM



BENCH TOP MOUNTING



BENCH BOTTOM MOUNTING

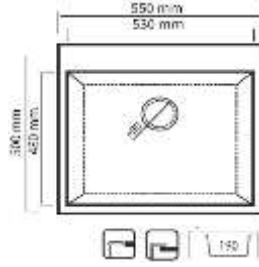


BENCH ZERO MOUNTING

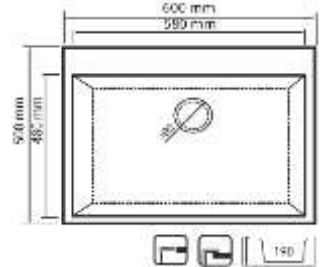


PRO - Built-in Series

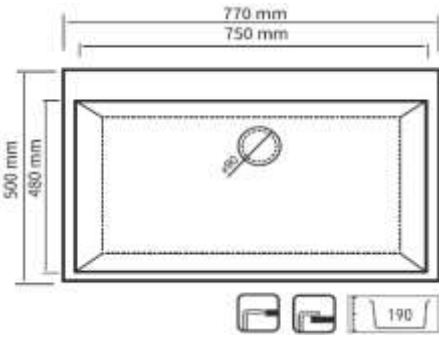
K - 001



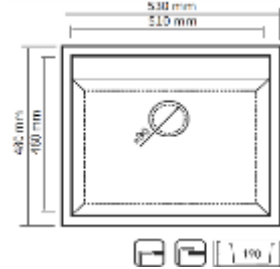
K - 002



K - 003



K - 004



PRODUCT	OUTER SIZE	CUT SIZE	PRICE
K-001	550X500 mm	530X480 mm	\$ 288
K-002	600X500 mm	580x480 mm	\$ 297
K-003	770X500 mm	750x480 mm	\$ 307
K-004	530X480 mm	510x460 mm	\$ 288



BLACK



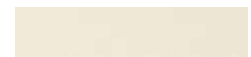
ANTHRACITE



GREY



WHITE



CREAM



BENCH TOP MOUNTING



BENCH BOTTOM MOUNTING

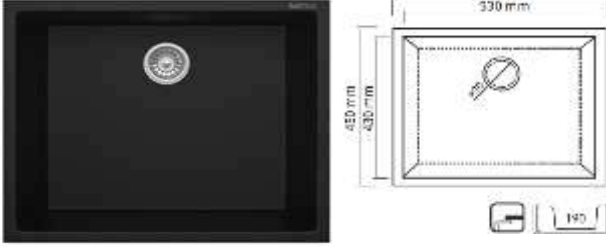


BENCH ZERO MOUNTING

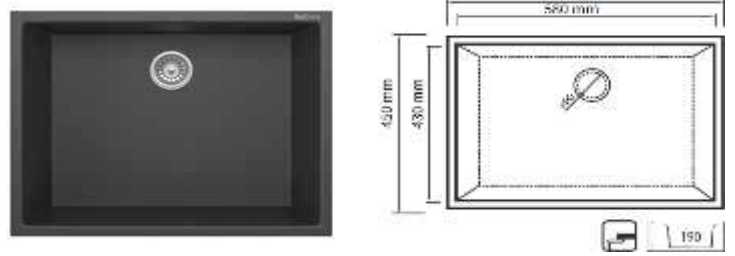


Marble Bottom Series

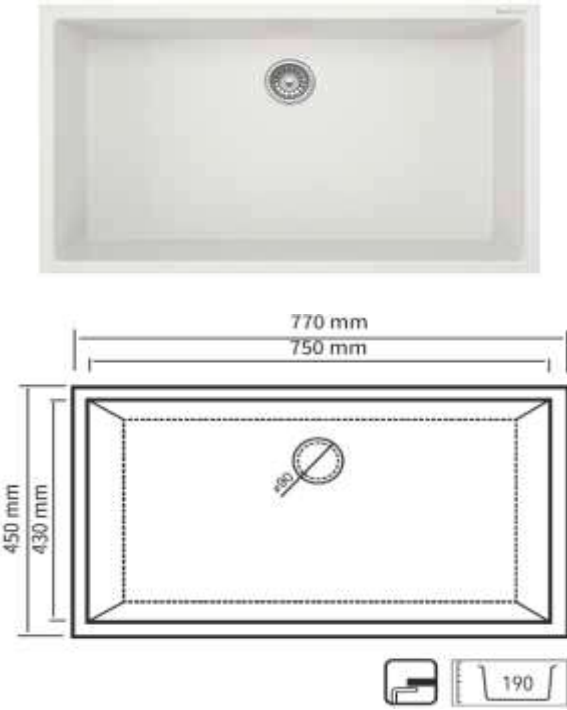
K - 011



K - 012



K - 013



Y - 001



PRODUCT	OUTER SIZE	CUT SIZE	PRICE
K-011	550X450 mm	530X430 mm	\$ 288
K-012	600X450 mm	580X430 mm	\$ 297
K-013	770X450 mm	750X430 mm	\$ 307
Y-001	460 mm DIAMETER	440 mm DIAMETER	\$ 228



BLACK



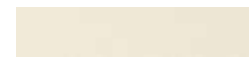
ANTHRACITE



GREY



WHITE



CREAM



BENCH TOP MOUNTING



BENCH BOTTOM MOUNTING



BENCH ZERO MOUNTING

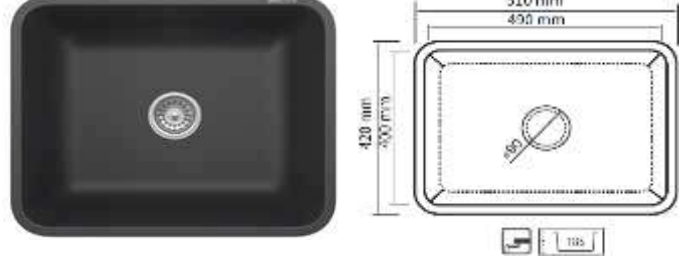


Marble Bottom Series

E - 001



E - 002



E - 003



E - 004



PRODUCT	OUTER SIZE	CUT SIZE	PRICE
E-001	510X380 mm	490X360 mm	\$ 219
E-002	510X420 mm	490X400 mm	\$ 237
E-003	530X400 mm	510X380 mm	\$ 258
E-004	410X410 mm	390X390 mm	\$ 211



BLACK



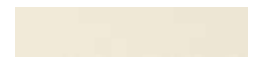
ANTHRACITE



GREY



WHITE



CREAM



BENCH TOP MOUNTING



BENCH BOTTOM MOUNTING



BENCH ZERO MOUNTING



Points to be Considered for Keeping Your Granite Sinks as the First Day;



Daily use: You can clean the sinks daily using soapy water, ammonia-based cleaners, cream detergent with a wet cloth or a soft sponge. In addition, in order to preserve the natural appearance of the product and to carry out routine maintenance, a few times a month, liquid or cream detergent should be applied to the entire surface with circular movements and cleaned with a wet cloth. It is recommended to polish your sink with a dry cloth when the process is finished.



Heat - Hot Contact: Your sink is resistant to high temperatures. (It lasts up to 180 C*. Attention should be paid to high-temperature materials such as hot oil or pots that have just been taken from the stove.) It is recommended to use your kitchen utensils containing high heat with the help of a base.



Stains: Your sink has a very high resistance to stains, oil, tomato paste, tea, etc. on your sink for easy cleaning. It is recommended that you do not leave stains such as You can easily clean the stains with liquid detergent and a wet cloth before they dry.



Scratch Resistance: Your sink is highly resistant to scratches. Do not touch sharp kitchen utensils such as forks and knives directly to your sink. Do not cut or chop on the sink. Be sure to use a cutting board.



Contact with Chemicals: Keeping your sink away from thinner, acetone, solvent and chemicals with high solvent properties will extend its lifetime. There is no harm in using bleach.



Cleaning: Be careful not to use cleaning products such as wire brushes, wire scrubbers, abrasives with abrasive surfaces, sponges. Use a soft cloth, liquid or cream detergent for cleaning. Use a paper towel or micro fiber cloth to dry.



UV Resistant Surface: Special surface application that prevents ultraviolet rays from the sun from damaging the product surface.



Antibacterial Surface: Special surface coating that does not hold and does not contain bacteria

Carefully complying with the above-mentioned issues will extend the life of the sink you are using.



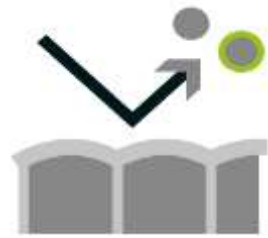
shockproof
The material is robust and resistant to impacts.



Does not stain
Does not contain food stains



Long lasting
Maintains its first day appearance for years



dirt-proof surface
Dirt comes off easily



Does not leave odor
It does not contain odor and does not transmit



Resistant to extreme heat
Not sensitive to heat effects



Does not harm human health
Absolutely not objectionable



UV resistant
Resistant to Sun Rays



Antibacterial
Special surface coating that does not hold and does